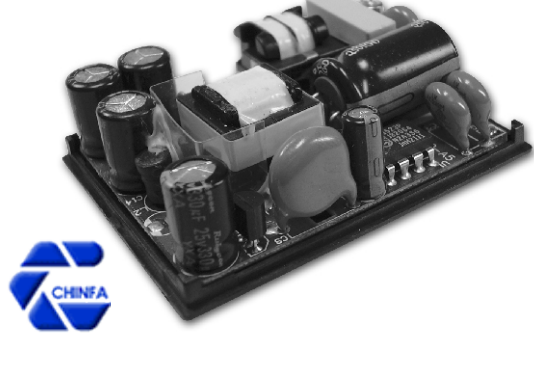




OPEN FRAME
AC - DC POWER MODULE
6.3 ~ 7.6W UL / cUL / TUV / CE



FEATURES

- AC/DC POWER MODULE
- UNIVERSAL INPUT 85 ~ 265 VAC
- HIGH EFFICIENCY UP TO 79%
- SHORT CIRCUIT PROTECTION
- INTERNAL INPUT FILTER
- 2 YEARS WARRANTY
- OPEN FRAME

MODEL LIST

MODEL NO.	INPUT VOLTAGE	OUTPUT WATTAGE	OUTPUT VOLTAGE	OUTPUT CURRENT	EFF. (typ.)	EFF. (min.)
Single Output Models						
KAD0703	85~265 VAC	6.6 WATTS	+3.3VDC	2000 mA	72%	69%
KAD0705	85~265 VAC	7.5 WATTS	+ 5 VDC	1500 mA	75%	72%
KAD0712	85~265 VAC	7.5 WATTS	+ 12VDC	630 mA	78%	75%
KAD0715	85~265 VAC	7.5 WATTS	+ 15 VDC	500 mA	78%	75%
KAD0724	85~265 VAC	7.6 WATTS	+ 24 VDC	320 mA	79%	77%
Dual Output Models						
KAD0712D	85~265 VAC	7.6 WATTS	± 12 VDC	± 320 mA	77%	74%
KAD0715D	85~265 VAC	7.5 WATTS	± 15 VDC	± 250 mA	78%	75%
KAD07503D	85~265 VAC	6.3 WATTS	+ 3.3 / + 5 VDC	+ 1 A / + 0.6 A	68%	65%
KAD07512D	85~265 VAC	6.6 WATTS	+ 5 / + 12 VDC	+ 0.6 A / + 0.3 A	75%	72%

www.sicoenergie.com

contact@sicoenergie.com

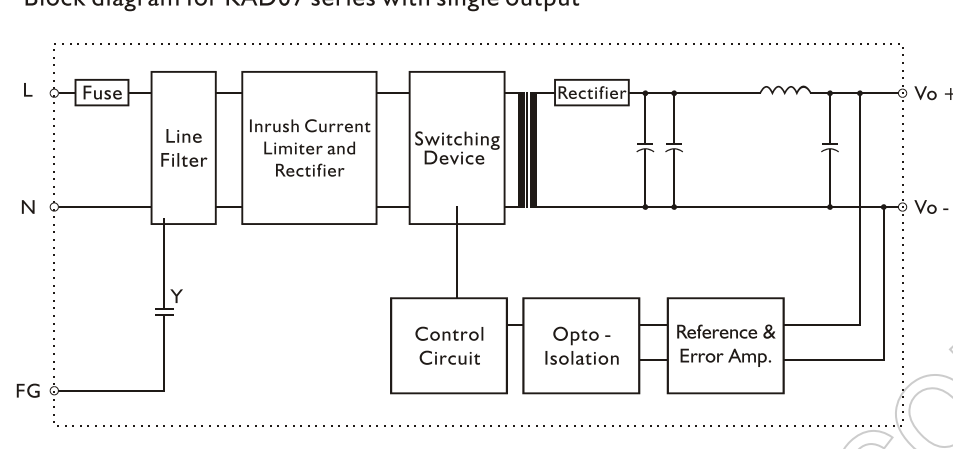
S.I.C.O. SAS Z.I. Clos aux Pois 91100 VILLABE (FRANCE)
Tél : (33) 01 60 86 00 11 Fax : (33) 01 60 86 90 20

KAD07 series

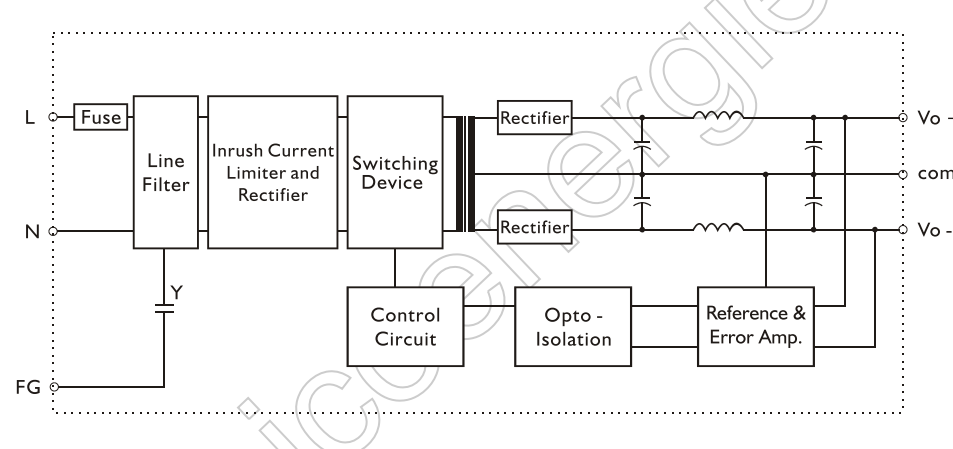
OPEN FRAME
AC - DC POWER MODULE

CIRCUIT SCHEMATIC

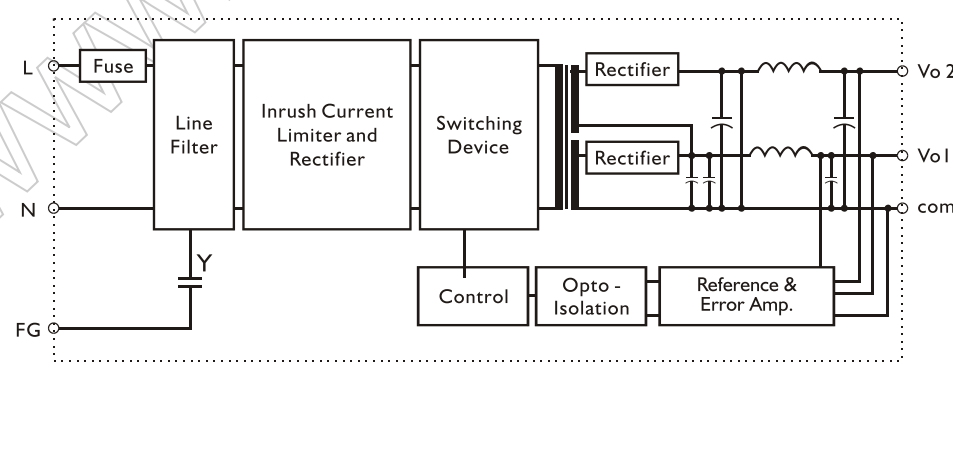
• Block diagram for KAD07 series with single output



• Block diagram for KAD07 series with dual output



• Block diagram for KAD07503D & KAD07512D



www.sicoenergie.com

contact@sicoenergie.com

S.I.C.O. SAS Z.I. Clos aux Pois 91100 VILLABE (FRANCE)
Tél : (33) 01 60 86 00 11 Fax : (33) 01 60 86 90 20

KAD07 series

OPEN FRAME
AC - DC POWER MODULE

SPECIFICATION

All Specifications Typical At Nominal Line, Full Load, 25°C Unless Otherwise Noticed

GENERAL						
Characteristics	Conditions		min.	typ.	max.	unit
Switching frequency	Vi nom, Io nom		80			KHz
Isolation voltage	Input / Output		3,000			VAC
Isolation resistance	Input / Output, @ 500VDC		100			MΩ
Ambient temperature	Operating at Vi nom, Io nom		-20		+ 71	°C
Derating	Vi nom, Io nom +51 to +71°C				2	% / °C
Storage temperature	Non operational		-40		+ 100	°C
M.T.B.F.	According to MIL-HDBK-217F, GF40			265,000		Hrs
Relative humidity	Vi nom, Io nom				95	% RH
Dimension	L58 x W45 x H18.5					mm
Cooling	Free air convection					
Base material	Plastic					

INPUT SPECIFICATIONS						
Characteristics	Conditions		min.	typ.	max.	unit
Rated input voltage	Io nom		85		240	VAC
Input voltage range	Io nom	AC in	85		265	VAC
		DC in	120		370	VDC
Line frequency	Vi nom, Io nom		47		63	Hz
Inrush current	Io nom	Vi : 115VAC			10	A
		Vi : 230VAC			18	A

OUTPUT SPECIFICATIONS						
Characteristics	Conditions		min.	typ.	max.	unit
Output voltage accuracy					± 2	%
Minimum load	Vi nom	single output models	0			%
		dual output models (each output)	20			%
Line regulation	Io nom, Vi min ... Vi max				± 1	%
Load regulation	Vi nom, Io nom	single output models			± 2	%
		dual output models			± 5	%
Transient recovery time	Vi nom, Io nom = 1 → 0.5 Io nom			300		μs
Temperature coefficient	Vi nom, Io nom				± 0.02	% / °C
Ripple & noise	Vi nom, Io nom, BW = 20MHz		Vout x ± 1% p-p max.			mV
Efficiency	Vi nom, Io nom, Po / Pi		Up to 79%, See model list			

CONTROL AND PROTECTION	
Input fuse	T2A / 250VAC internal
Output short circuit	By current limited

APPROVALS AND STANDARDS	
UL / cUL	UL1950
TUV	EN60950
CE	EN55022 class B for EMI
	EN50082-1 for EMS

www.sicoenergie.com

contact@sicoenergie.com

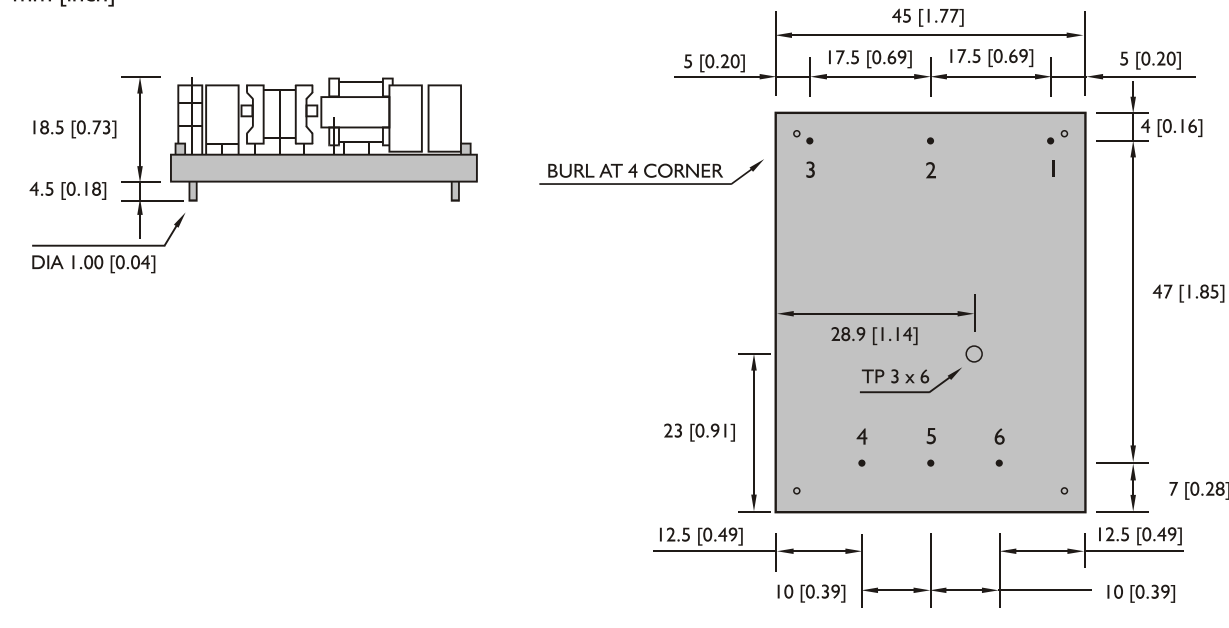
S.I.C.O. SAS Z.I. Clos aux Pois 91100 VILLABE (FRANCE)
Tél : (33) 01 60 86 00 11 Fax : (33) 01 60 86 90 20

KAD07 series

OPEN FRAME
AC - DC POWER MODULE

MECHANISM & PIN CONFIGURATION

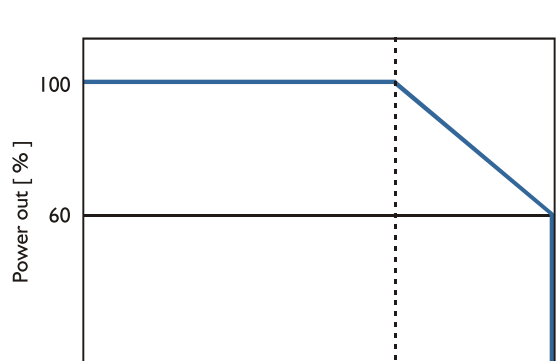
mm [inch]



PHYSICAL CHARACTERISTICS	
SIZE	58 x 45 x 18.5 mm 2.28 x 1.77 x 0.73 inches
BASE MATERIAL	Plastic
WEIGHT	42 g

PIN ASSIGNMENT						
GENERAL						
PIN NO.	1	2	3	4	5	6
SINGLE	LINE	NEUTRAL	F. G.	Vo -	NO PIN	Vo +
DUAL	LINE	NEUTRAL	F. G.	+ 5V	com	+ 3.3V
	LINE	NEUTRAL	F. G.	+ 12V	com	+ 5V

DERATING	
----------	--



www.sicoenergie.com

contact@sicoenergie.com

S.I.C.O. SAS Z.I. Clos aux Pois 91100 VILLABE (FRANCE)
Tél : (33) 01 60 86 00 11 Fax : (33) 01 60 86 90 20